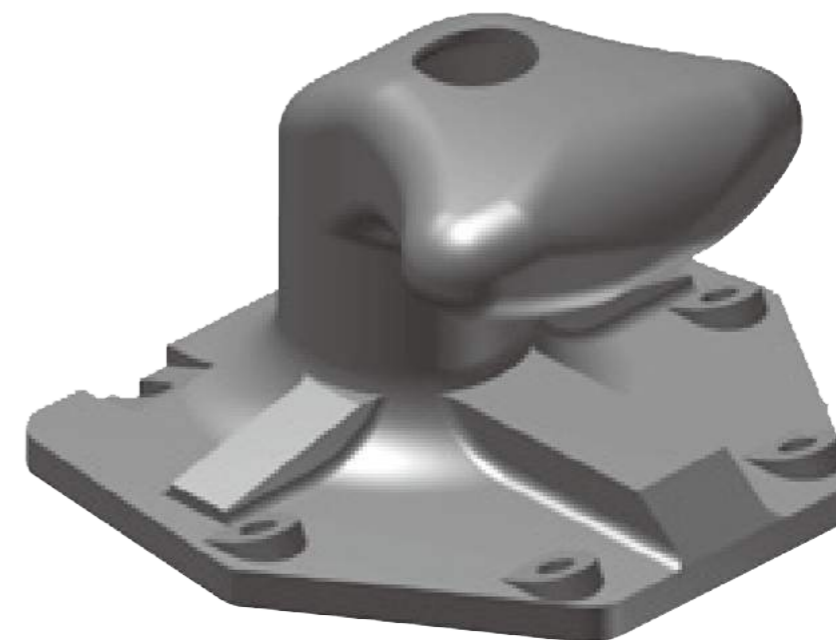




CAT MINH
TECHNOLOGY EQUIPMENT CO., LTD
SINCE 2000

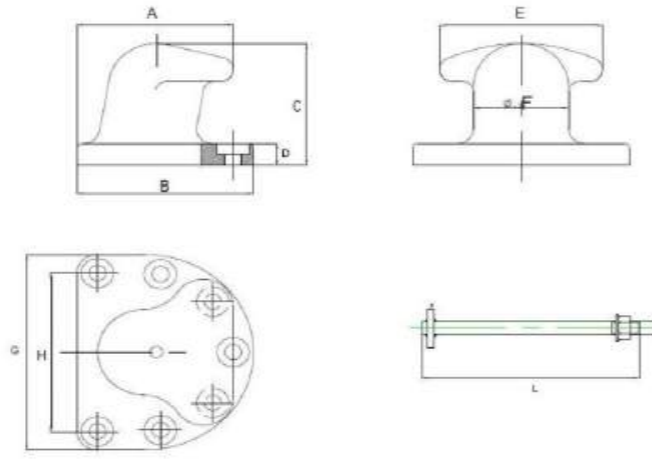
Asia Bollard



Address: Floor 5th, Tedi Building, No. 15A Hoang Hoa Tham Stress, Ward 6,
Binh Thanh District, Ho Chi Minh City, Viet Nam
Mobile/What'sapp : +84 (0) 903 1800 99
Tel: +84 (0) 28 6258 3341 | Fax: +84 (0) 28 6258 3348
Email: info@catminh.com | www.catminh.com

Product catalogue | 2018

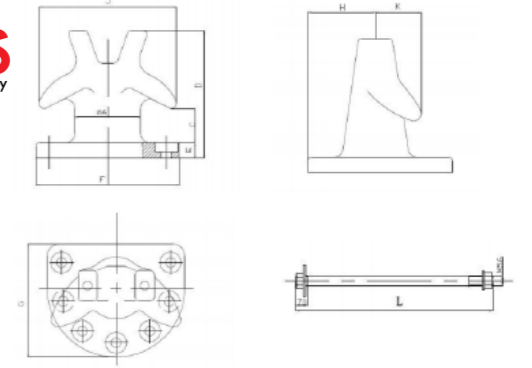
T HEAD BOLLARD



Type	Capacity (Ton)	Dimension (mm)								Bolts	
		A	B	C	D	E	F	G	H	QTY	L (mm)
THB-20	20	330	380	280	50	350	175	440	335	5	500
THB-30	30	470	540	380	64	458	250	597	490	5	500
THB-50	50	477	540	400	74	550	260	640	500	5	500
THB-80	80	570	650	478	80	600	305	800	640	6	800
THB-100	100	575	650	453	90	600	350	800	650	7	800
THB-150	150	654	750	500	90	700	400	900	700	7	1000
THB-200	200	775	900	600	100	800	460	1100	850	7	1000
THB-300	300	840	930	730	120	820	470	1106	914	7	1400

*We ready manufacture with your request - Please contact with info@catminh.com or info@catminh.net | www.asiabollard.com

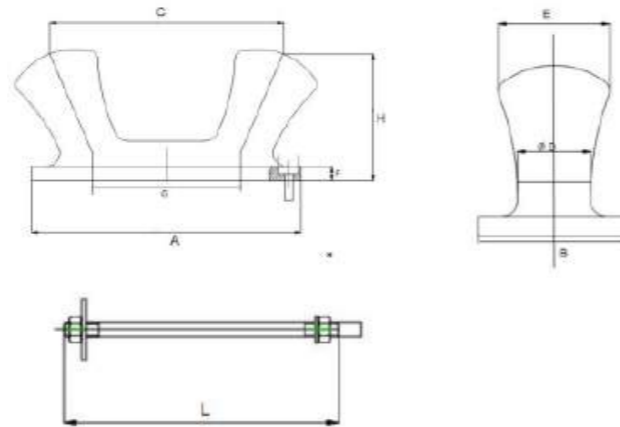
HORN BOLLARD



Type	Capacity (Ton)	Dimension (mm)									Bolts	
		A	C	D	E	F	G	H	J	K	QTY	L (mm)
HB-20	20	203	140	476	70	483	406	165	407	165	5	500
HB-30	30	254	152	533	76	610	572	267	508	184	6	500
HB-40	40	305	152	617	127	610	610	305	610	210	6	500
HB-50	50	317	178	597	83	762	660	279	559	229	7	500
HB-75	75	355	191	743	95	851	724	305	761	241	7	800
HB-100	100	356	202	774	114	965	838	356	762	242	7	800
HB-150	150	432	254	851	100	1016	914	381	838	278	7	1000
HB-200	200	432	254	857	120	1016	914	381	838	278	7	1000

*We ready manufacture with your request - Please contact with info@catminh.com or info@catminh.net

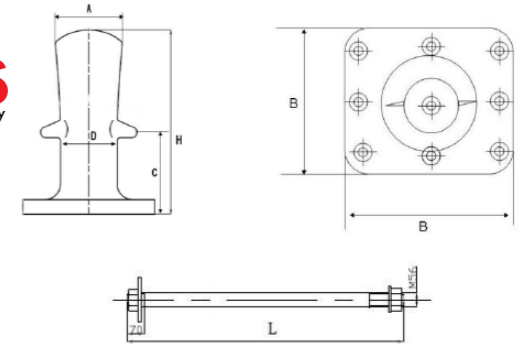
DOUBLE BITT BOLLARD



Type	Capacity (Ton)	Dimension (mm)								Bolts	
		A	B	C	D	E	F	G	H	QTY	L (mm)
DBB-20	20	685	370	610	150	254	50	369	394	8	500
DBB-30	30	825	420	610	180	290	58	445	451	8	500
DBB-50	50	945	455	725	200	330	65	510	508	8	800
DBB-75	75	1205	522	825	255	405	75	650	622	10	800
DBB-100	100	1390	635	1040	305	457	82	760	698	10	800
DBB-125	125	1525	675	1200	330	500	85	840	752	10	1000
DBB-150	150	1650	720	1420	355	533	90	910	797	10	1000
DBB-175	175	1875	840	1650	406	610	105	1067	909	10	1000
DBB-200	200	2030	860	1750	432	660	105	1160	987	10	1000

*We ready manufacture with your request - Please contact with info@catminh.com or info@catminh.net | www.asiabollard.com

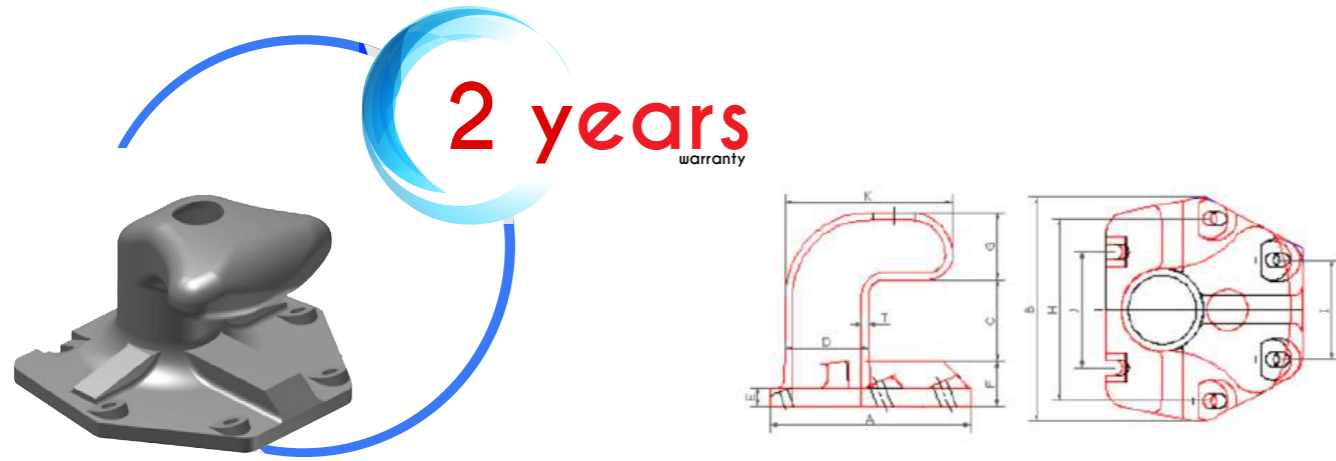
SINGLE BITT BOLLARD



Type	Capacity (Ton)	Dimension (mm)				Bolts	
		A	B	C	D	QTY	L (mm)
SBB-20	20	400	660	290	260	4	500
SBB-30	30	400	660	290	260	4	500
SBB-50	50	400	600	200	300	4	500
SBB-75	75	440	700	340	330	4	800
SBB-100	100	540	900	365	350	8	800
SBB-150	150	610	900	340	420	8	1000
SBB-200	200	900	900	350	480	8	1000

*We ready manufacture with your request - Please contact with info@catminh.com or info@catminh.net

B HEAD BOLLARD

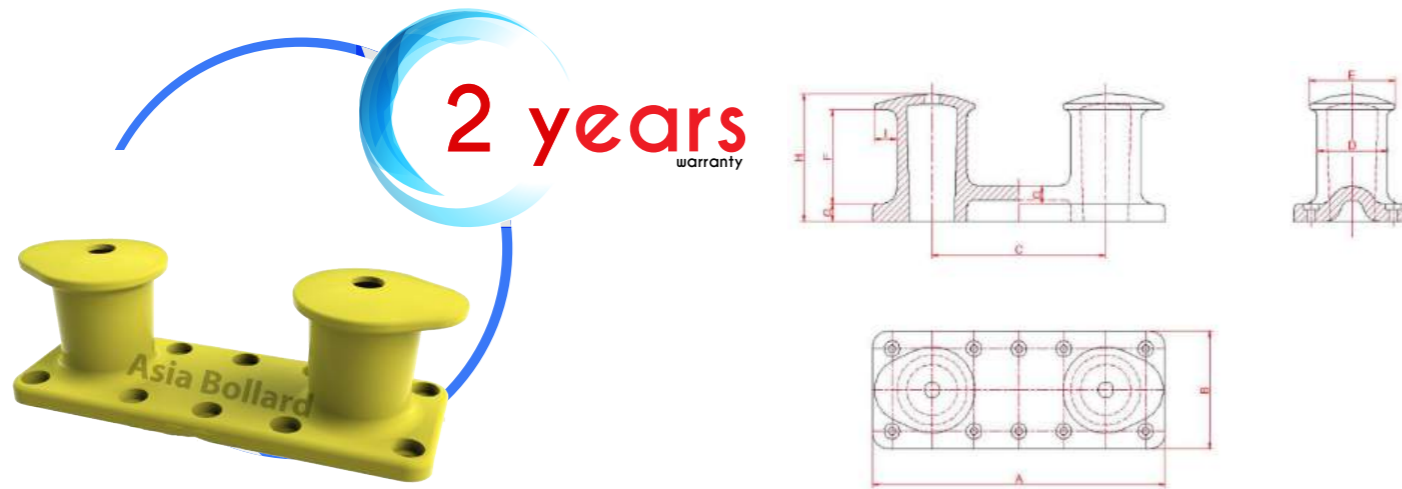


2 years
warranty

Type	Capacity (Ton)	Dimension (mm)											Bolts		
		A	B	C	D	E	F	G	H	I	J	K	T	QTY	L (mm)
BHB-5	5	360	-	170	150	30	90	120	370	45	-	300	20	4	450
BHB-10	10	480	-	210	200	40	110	160	360	60	-	400	20	4	600
BHB-15	15	600	-	250	250	50	130	200	450	75	-	500	20	4	700
BHB-25	25	720	-	290	300	65	160	240	540	90	-	600	21	4	850
BHB-35	35	720	810	290	300	65	160	240	650	360	420	600	25	6	850
BHB-70	70	1000	1130	400	400	90	210	320	920	500	560	800	33	6	1150
BHB-100	100	1200	1365	450	450	95	230	320	1150	600	630	900	39	6	1300
BHB-150	150	1600	1765	490	550	120	265	500	1250	800	860	1100	49	6	1450

*We ready manufacture with your request - Please contact with info@catminh.com or info@catminh.net | www.asiabollard.com

DOUBLE BITT BOLLARD

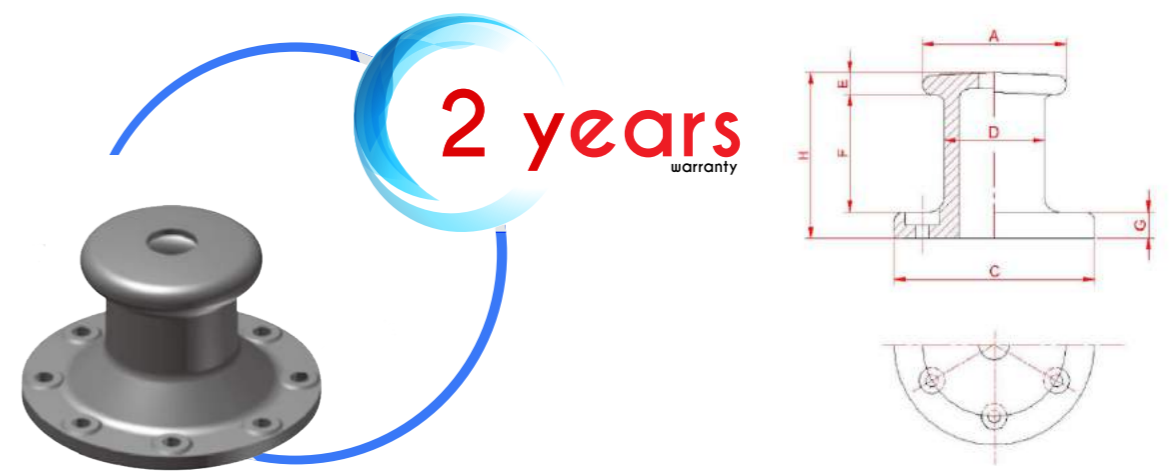


2 years
warranty

Type	Capacity (Ton)	Dimension (mm)										Bolts	
		A	B	C	D	E	F	G	H	I	QTY	L (mm)	
DB-30	30	680	320	400	160	254	230	50	320	55	6	500	
DB-40	40	870	400	500	200	290	270	60	380	65	8	800	
DB-60	60	1060	450	630	250	330	340	70	470	85	8	800	
DB-80	80	1330	520	800	320	405	450	80	600	100	8	800	
DB-100	100	1500	600	890	360	457	480	90	650	115	10	1000	
DB-120	120	1680	650	1000	400	500	560	90	730	130	10	1000	
DB-150	150	1890	720	1130	450	533	640	100	830	140	10	1000	
DB-180	180	2110	780	1250	500	610	700	100	900	160	10	1000	

*We ready manufacture with your request - Please contact with info@catminh.com or info@catminh.net | www.asiabollard.com

PILLAR BOLLARD

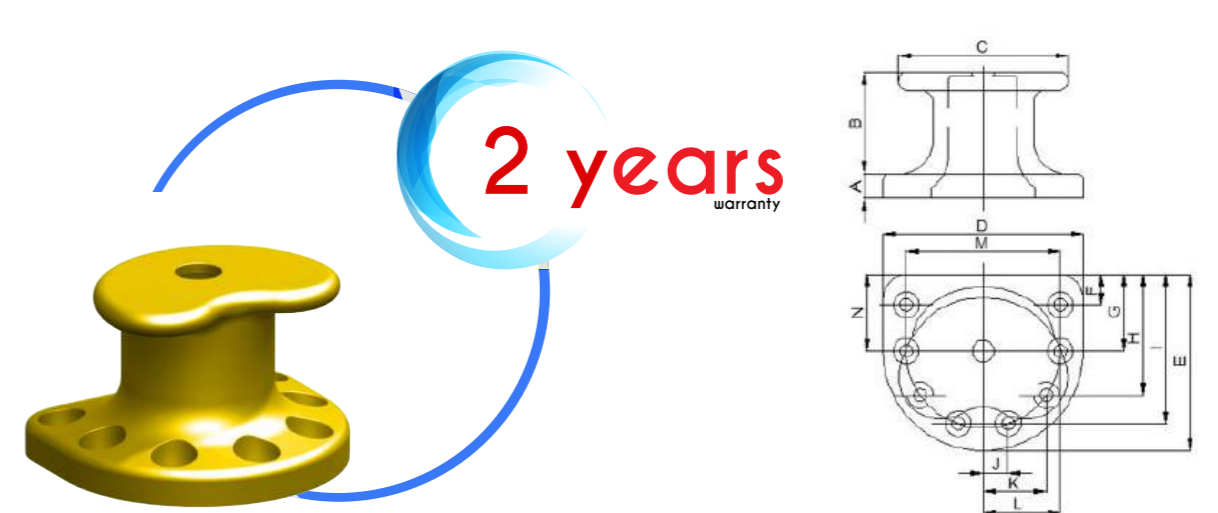


2 years
warranty

Type	Capacity (Ton)	Dimension (mm)							Bolts	
		A	C	D	E	F	G	H	QTY	L (mm)
PB-10	10	240	320	160	40	200	40	280	5	500
PB-20	20	330	460	230	50	270	60	380	6	600
PB-30	30	330	460	230	50	270	60	380	6	600
PB-50	50	500	700	340	80	340	80	500	8	800
PB-75	75	500	700	340	90	360	90	540	8	800
PB-100	100	610	900	450	100	450	100	650	8	800
PB-125	125	610	900	450	100	450	100	650	8	800
PB-150	150	740	1000	500	130	500	120	750	8	800

*We ready manufacture with your request - Please contact with info@catminh.com or info@catminh.net

KIDNEY BOLLARD

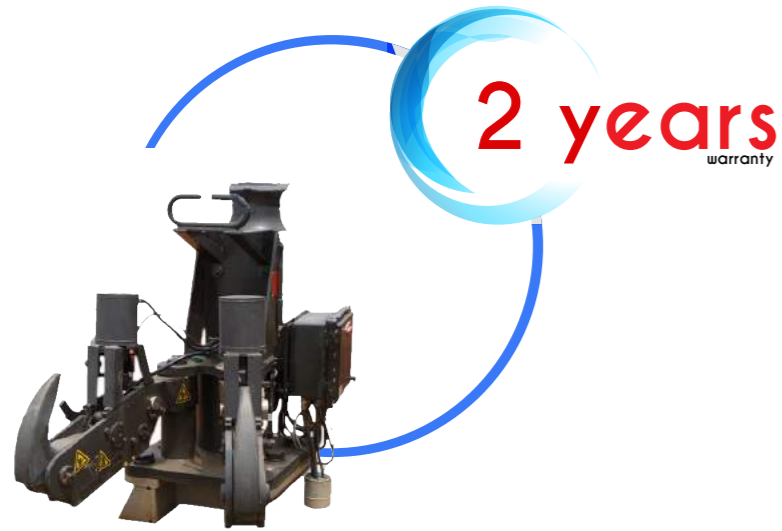


2 years
warranty

Type	Capacity (Ton)	Dimension (mm)														Bolts	
		A	B	C	D	E	F	G	H	I	J	K	L	M	N	QTY	L (mm)
SBB-30	30	54	257	385	455	402	70	-	258	350	0	154	-	350	175	5	450
SBB-50	50	60	264	413	488	431	75	-	226	353	88	183	-	375	188	6	600
SBB-75	75	70	298	481	569	503	88	238	381	438	0	146	218	438	219	7	600
SBB-100	100	79	340	550	650	575	100	272	436	500	0	167	249	500	250	7	600
SBB-125	125	89	375	605	715	632	110	299	479	550	0	184	274	550	275	7	750
SBB-150	150	95	410	660	780	690	120	326	523	600	0	201	299	600	300	7	915
SBB-200	200	111	457	759	897	793	138	345	543	671	112	283	345	690	345	8	915

*We ready manufacture with your request - Please contact with info@catminh.com or info@catminh.net

QUICK RELEASE HOOK



ON FACTORY



Overview

The Quick Release Mooring Hooks (QRH) are part of the mooring system which, used in conjunction with the fendering system, safely secured, quickly and easily released mooring line during vessel loading/unloading operations.

It mainly apply on Oil, LNG, LPG terminal, also commercial ports as an alternative to bollards to improve safety and efficiency of mooring operation at reduced cost

Which can be integral as below equipment:

- © Capstan
- © Remote control system
- © Mooring Load Monitoring system (MLMS)
- © Berthing Approach System (BAS)
- © Environmental Monitoring System (EMS)
- © Central Monitoring System

ON SITE

