



reddot award 2016  
winner

## Higher Revenue

- High efficiency inverter topology, Max. Efficiency 98.6%, European Efficiency 98.0%

## Simple & Easy

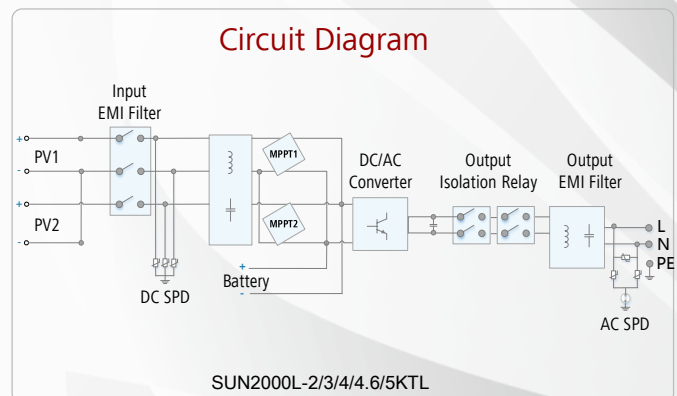
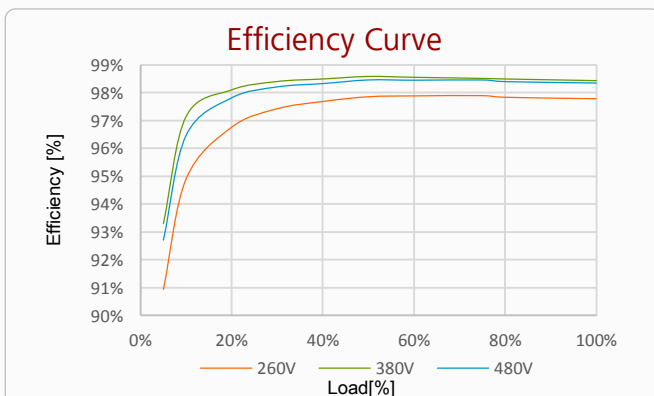
- 10.4kg, allows one person simple installation
- Optimized AC connector for quick wiring
- Supports one-click inverter configuration
- Supports one-click remote I-V curve diagnosis

## Battery Ready

- Integrated energy storage interface

## Safe & Reliable

- IP65, Natural cooling
- Build-in DC and AC surge arresters



# SUN2000L-2/3/4/4.6/5KTL

Technical Specification	SUN2000L-2KTL	SUN2000L-3KTL	SUN2000L-4KTL	SUN2000L-4.6KTL	SUN2000L-5KTL
<b>Efficiency</b>					
Max. efficiency	98.4%	98.5 %	98.6 %	98.6 %	98.6 %
European weighted efficiency	97.0 %	97.6 %	97.9 %	98 %	98 %
<b>Input</b>					
Recommended max. PV power	2660 Wp	3990 Wp	5400 Wp	6210 Wp	6750 Wp
Max. input voltage	600 V				
Operating voltage range <sup>1</sup>	90 V~ 600 V				
Start-up voltage	120 V				
Full power MPPT voltage range	120V~480 V	160 V~480 V	210 V~480 V	260 V~480 V	260 V~480 V
Rated input voltage	380 V				
Max. input current per MPPT	11 A				
Number of MPP trackers	2				
Max. number of inputs per MPPT	1				
<b>Output</b>					
Grid connection	Single phase				
Rated output power	2000 W	3000 W	4000 W	4600 W	5000 W
Maximum apparent power	2200 VA	3300 VA	4400 VA	4600 VA	5500 VA
Rated output voltage	220 V / 230 V / 240 V				
Rated AC grid frequency	50 Hz / 60 Hz				
Maximum output current	10 A	15 A	20 A	23 A	25 A
Adjustable power factor	0.8 leading ... 0.8 lagging				
Max. total harmonic distortion	≤ 3 %				
<b>Protection</b>					
Anti-Islanding protection	Yes				
DC reverse polarity protection	Yes				
Insulation monitoring	Yes				
DC surge arrester	Yes				
AC surge arrester	Yes				
Residual current monitoring	Yes				
AC overcurrent protection	Yes				
AC short-circuit protection	Yes				
AC over-voltage protection	Yes				
Over-heat protection	Yes				
<b>General Data</b>					
Operating temperature range	-30 ~ +60 °C ( Derating above 45°C @ Rated output power )				
Relative operating humidity	0 %RH~100 %RH				
Operating altitude	0-4000 m ( Derating above 2000m )				
Cooling	Natural Convection				
Display	LED Indicators				
Communication	RS485, WLAN				
Weight (incl. mounting bracket)	10.4 kg				
Dimension (incl. mounting bracket)	375X375X161.5 mm				
Degree of protection	IP65				
<b>Battery Compatibility</b>					
Battery	LG Chem RESU 7H / 10H				
Voltage range	350~450 Vdc				
Max. current	10 A				
Communication	RS485				
<b>Standards Compliance</b>					
Safety	EN/IEC 62109-1, EN/IEC 62109-2				
Grid connection standards	G83/2,G59/3, EN 50438, CEI 0-21, VDE-AR-N-4105, UTE C 15-712-1, AS 4777				

The text and figures reflect the current technical state at the time of printing. Subject to technical changes. Errors and omissions excepted. Huawei assumes no liability for mistakes or printing errors. For more information, please visit solar.huawei.com. Version No.:01-(2017)0728

\*1.The maximum input voltage and operating voltage upper limit will be reduced to 500 V when inverter connects and works with battery.

\*2.Only applicable for PV string.

## Higher Revenue

- Max. efficiency 99.6%, weighted efficiency 99.0%
- Module-level MPP tracking, increase power yield by 5%-30%
- Allows more panels on each roof to achieve higher system yields

## Simple & Easy

- Supports installation in shade prone areas and in different directions
- Quick frame mount at warehouse, less rooftop installation time
- Supports remote module-level monitoring & I-V curve diagnosis

## Safe & Reliable

- IP68, support outdoor application
- Communication through DC Power Line Communication
- Single module shutdown capability to secure people and assets safety



Technical Specification	SUN2000P-375W
<b>Input</b>	
Rated input power	375 W
Absolute maximum input voltage	80 V
MPPT operating voltage range	10-80 V
Max. input current	12 A
Max. efficiency	99.6 %
Weighted efficiency	99 %
Overvoltage category	II
<b>Output</b>	
Max. output voltage	80 V
Max. output current	15 A
Output bypass	Yes
<b>Standard Compliance</b>	
Safety	IEC62109-1 (class II safety)
RoHS	Yes
<b>General Specification</b>	
Maximum allowed system voltage	1000 V
Communication	PLC
Dimensions (W x L x H)	125*85*25.5 mm
Weight (including cables)	0.7 kg
Input connector	MC4
Output connector	MC4
Output wire length	47 in / 1.2 m
Operating temperature/humidity range	-40 to 85 °C / 0-100 %
Protection rating	IP68
<b>PV System Design Using A SUN2000L Inverter</b>	
Minimum String Length	According to inverter design rules & PV module datasheet
Maximum String Length	
Maximum Power per String	

The text and figures reflect the current technical state at the time of printing. Subject to technical changes. Errors and omissions excepted. Huawei assumes no liability for mistakes or printing errors. For more information, please visit solar.huawei.com. Version No.:01-(2017.07.28)

# Smart PV Safety Box



## Simple & Easy

- Communicate with optimizers through Power Line communication
- Support module-level real time monitoring & management

## Safe & Reliable

- Single module shutdown capability to secure people and assets safety
- IP65, support outdoor application

Technical Specification	SmartPSB2000L
<b>DC Input</b>	
Maximum input voltage	1100 V
Number of inputs	2
Maximum input current per input	15 A
<b>DC Output</b>	
Maximum output voltage	1100 V
Number of outputs	2
Maximum output current per output	15 A
<b>Features</b>	
Module-level remote management	Yes
Onsite master module shutdown	Yes
Remote auto module shutdown	Yes
<b>General Specification</b>	
Dimensions ( H x W x D )	148 x 148 x 38 mm
Weight	3 kg
Display	LED
Communication	PLC, RS485
Input type	HH4
Operating temperature range	-30 to 60 °C
Protection rating	IP65



The text and figures reflect the current technical state at the time of printing. Subject to technical changes. Errors and omissions excepted. Huawei assumes no liability for mistakes or printing errors. For more information, please visit solar.huawei.com. Version No.:01-(2017.07.28)



**Copyright © Huawei Technologies Co., Ltd.2018. All rights reserved.**

No part of this document may be reproduced or transmitted in any form or by any means without prior written consent of Huawei Technologies Co., Ltd.

**Trademark Notice**

 HUAWEI and  are trademarks or registered remarks of Huawei Technologies Co., Ltd. Other trademarks, product service and company names mentioned are the property of their respective owners.

**General Disclaimer**

The information in this document may contain predictive statements including, without limitation, statements regarding the future financial and operating results, future product portfolio, new technology, etc. There are a number of factors that could cause actual results and developments to differ materially from those expressed or implied in the predictive statements. Therefore, such information is provided for reference purpose only and constitutes neither an offer nor an acceptance. Huawei may change the information at any time without notice.

**HUAWEI TECHNOLOGIES CO.,LTD**

Huawei Industrial Base  
Bantian, Longgang  
Shenzhen 518129,P.R.China  
Tel.:400-822-9999  
[www.huawei.com](http://www.huawei.com)

**CAT MINH TECHNOLOGY EQUIPMENT CO.,LTD**

TEDI Building  
No. 15A Hoang Hoa Tham St  
War 6, Binh Thanh District  
Ho Chi Minh, Viet Nam  
Tel. +84 (0) 28 6258 3341  
[www.catminh.com](http://www.catminh.com)